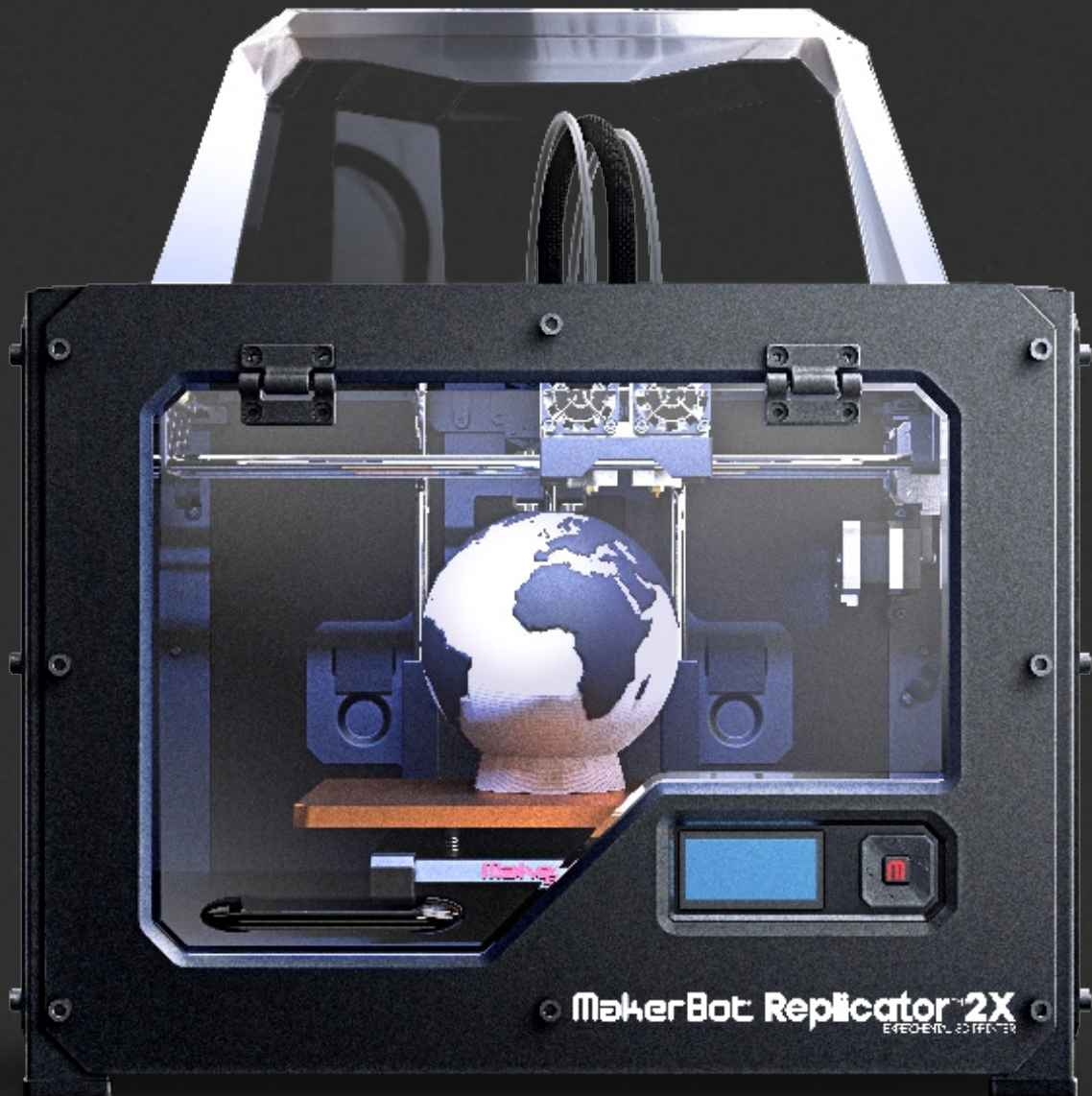
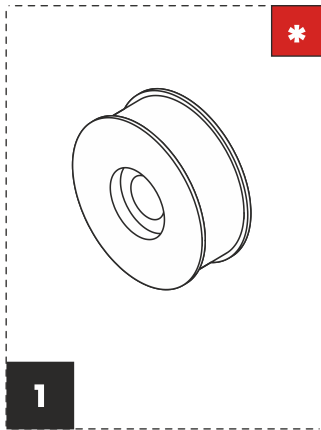


MakerBot® Replicator® 2X

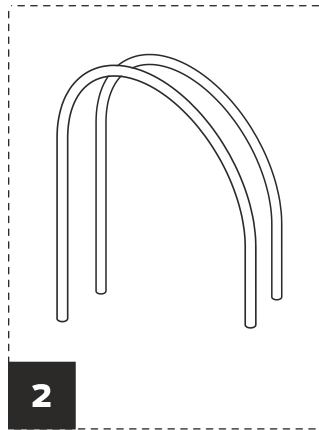
EXPERIMENTAL 3D PRINTER



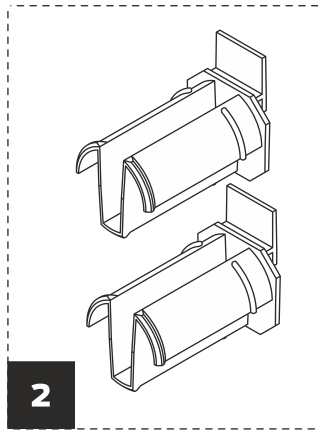
ACCESSORY CHECKLIST



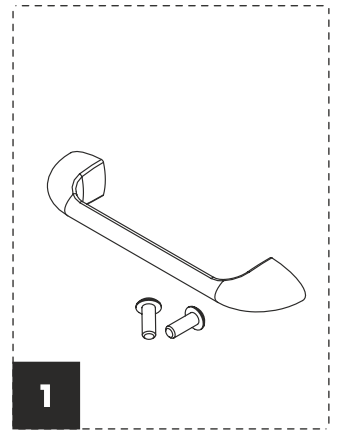
MakerBot ABS
Filament [1 lb Spool]



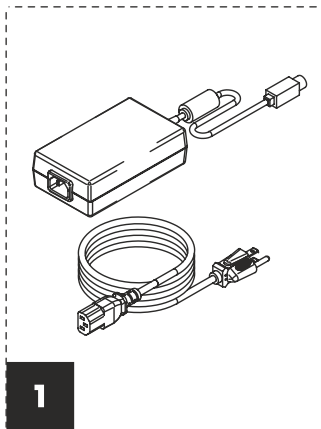
Filament guide tubes



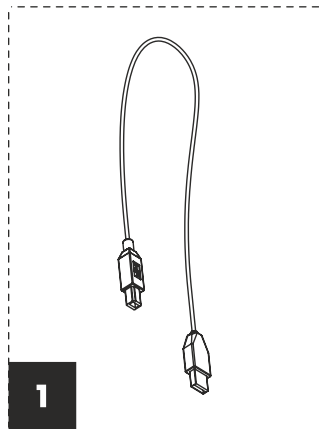
Spool holders



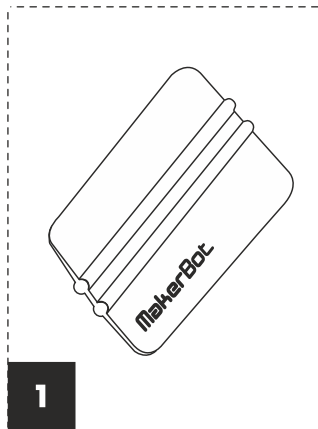
Handle and bolts



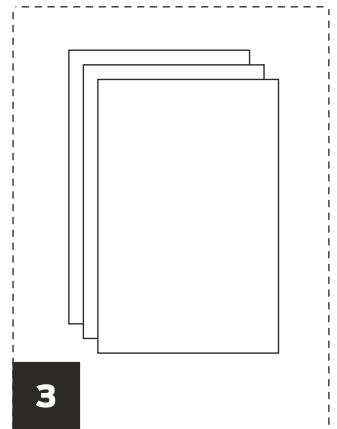
Power supply
and cable



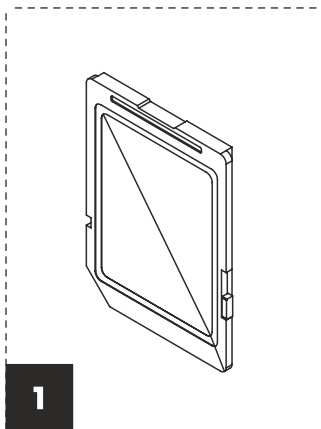
USB-A to USB-B
cable



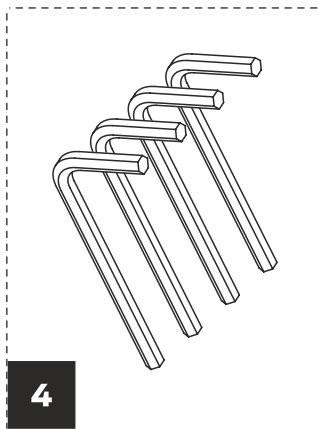
MakerBot tape
applicator



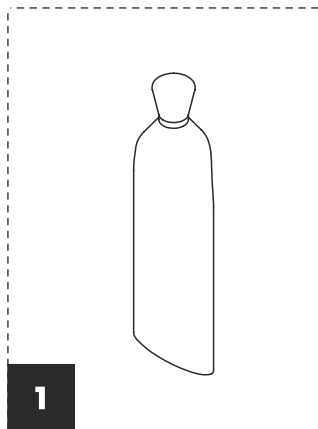
Kapton tape sheets



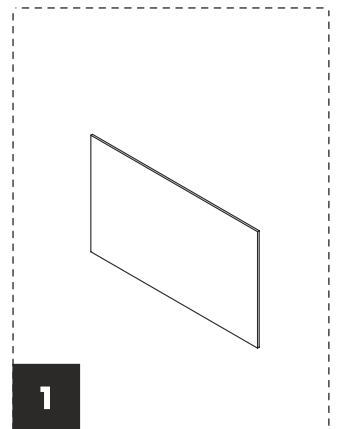
SD card



Hex wrenches



PTFE-based grease



Support card

* More options available at store.makerbot.com/abs-filament

SPECIFICATIONS

PRINTING

Print Technology:	Fused deposition modeling
Filament:	1.75 mm MakerBot ABS Filament 1.75 mm MakerBot Dissolvable Filament
Build Volume:	24.6 cm x 16.3 cm x 15.5 cm [9.7"W x 6.4"L x 6.1"H]
Layer Height Settings:	High 100 microns [0.0039 in] Medium 200 microns [0.0079 in] Low 300 microns [0.0118 in]
Positioning Precision:	XY: 11 microns [0.0004 in]; Z: 2.5 microns [0.0001 in]
Nozzle Diameter:	0.4 mm [0.015 in]

SOFTWARE

Software Bundle:	MakerBot MakerWare™
File Types:	STL, OBJ, Thing
Supports:	Windows [7+], Ubuntu [12.04+], Mac OS X [10.6+]

PHYSICAL DIMENSIONS

Without Spools:	49 x 32 x 38 cm [19.1 x 12.8 x 14.7 in]
With Spools:	49 x 42 x 38 cm [19.1 x 16.5 x 14.7 in]
Shipping Box:	57.5 x 49.5 x 40.6 cm [22.6 x 19.5 x 16 in]
Weight:	27.8 lbs [12.6 kg]
Shipping Weight:	39.25 lbs [17.8 kg]

TEMPERATURE

Ambient Operation:	15°–32° C [60°–90° F]
Storage Temperature:	0°–32° C [32°–90° F]

ELECTRICAL

AC Input:	100–240V, ~4 amps, 50–60 Hz
Power Requirements:	24V DC @ 9.2 amps
Connectivity:	SD card [FAT16, max 2 GB]

MECHANICAL

Chassis:	Powder-coated steel
Body:	PVC Panels
Build Platform:	356 aluminum
XYZ Bearings:	Wear-resistant, oil-infused bronze
Stepper Motors:	1.8° step angle with 1/16 micro-stepping.



MakerBot®